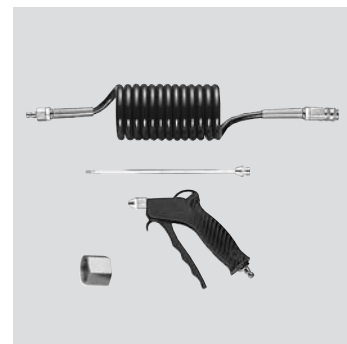
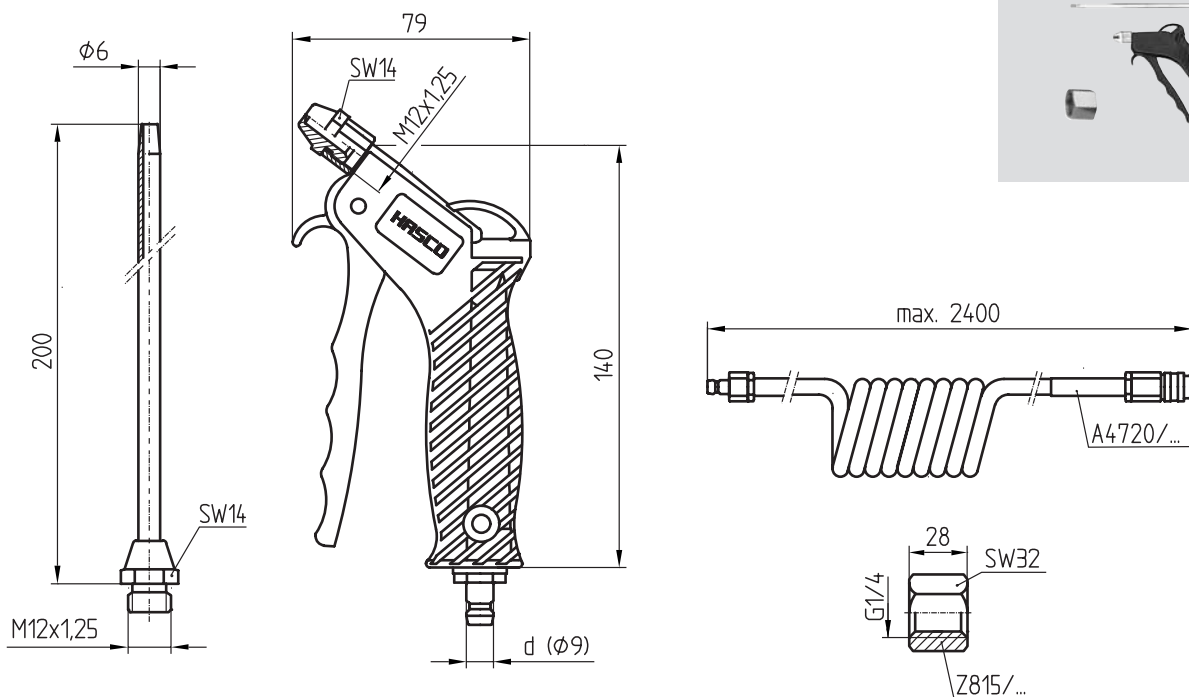


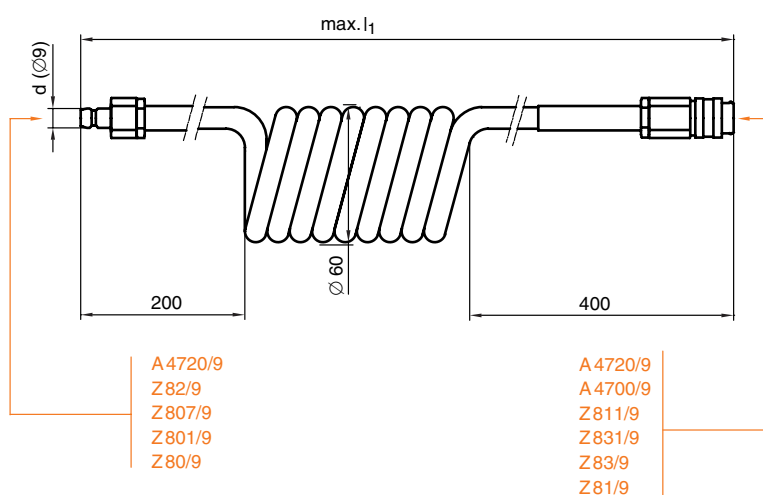
A4700/...



d	Nr./No.
9	A4700/9

A4720/...

Mat.: PUR (Polyurethane)



A4720/9
Z82/9
Z807/9
Z801/9
Z80/9

A4720/9
A4700/9
Z811/9
Z831/9
Z83/9
Z81/9

Umgebungstemperatur Ambient temperature Température ambiante	max. Betriebsdruck max. operating pressure pression de service max.	d	l ₁	Nr./No.
-20°C... 50°C	12 bar	9	2400	A4720/9x2400
			4800	A4720/9x4800

This is trial version
www.adultpdf.com